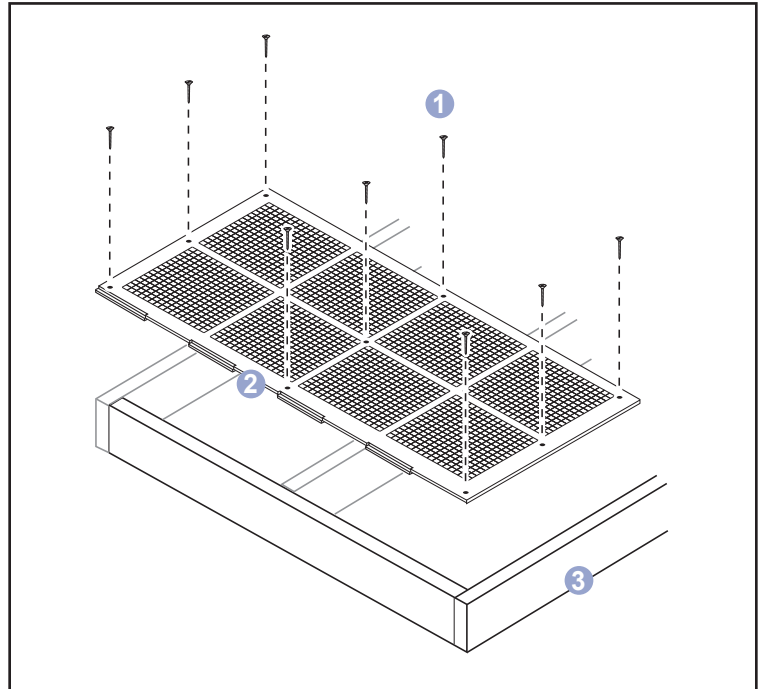


DURA-SLAT® POULTRY FLOORING SYSTEM

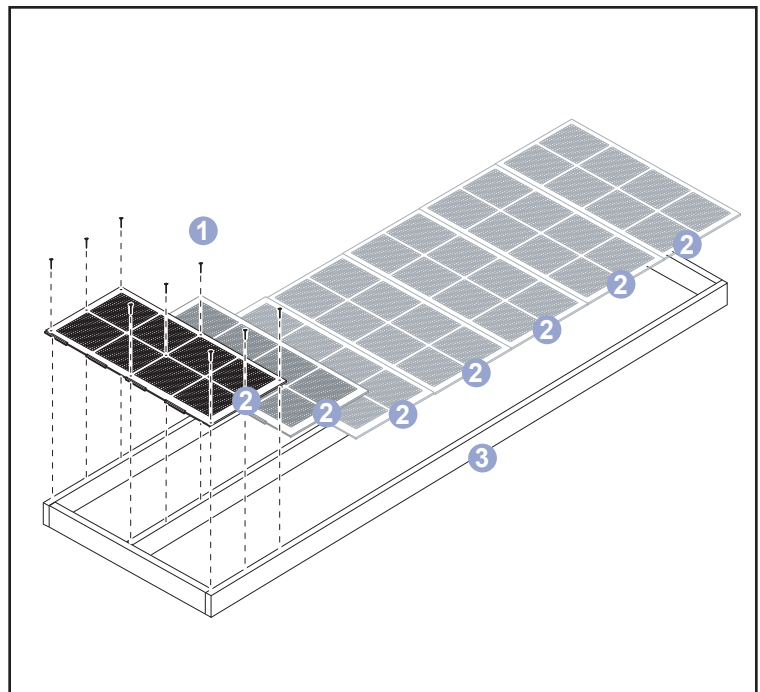
DURA-SLAT: WOODEN FRAME ASSEMBLY

1. #10 2" Stainless Steel Phillips Head Wood Screws
2. DURA-SLAT Plastic Poultry Flooring
3. 4' x 14' Wooden Poultry Frame made from 2" x 6" Pressure Treated Lumber



DURA-SLAT: WOODEN FRAME WITH ONE CENTER BRACE

1. #10 2" Stainless Steel Phillips Head Wood Screws
2. DURA-SLAT Plastic Poultry Flooring
3. 4' x 14' Wooden Poultry Frame made from 2" x 6" Pressure Treated Lumber

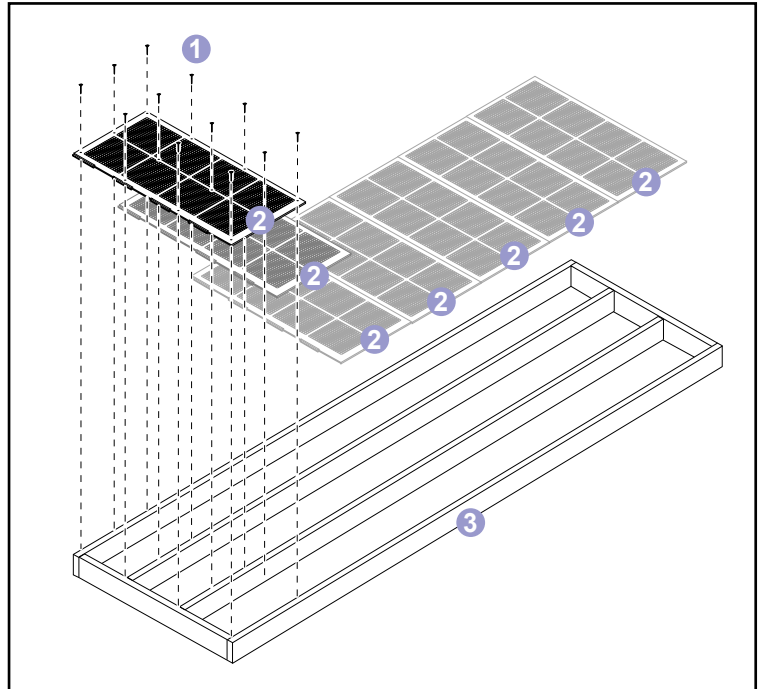


16400 Midway Road Dallas, Texas 75001 • Ph. 972-735-8866 Fx. 972-735-8896 • www.swapinc.com email: info@swapinc.com

DURA-SLAT® POULTRY FLOORING SYSTEM

DURA-SLAT: WOODEN FRAME WITH TWO CENTER BRACES

1. #10 2" Stainless Steel Phillips Head Wood Screws
2. DURA-SLAT Plastic Poultry Flooring
3. 4' x 14' Wooden Poultry Frame made from 2" x 6" Pressure Treated Lumber



16400 Midway Road Dallas, Texas 75001 • Ph. 972-735-8866 Fx. 972-735-8896 • www.swapinc.com email:info@swapinc.com

SOUTHWEST AGRI-PLASTICS, INC.®